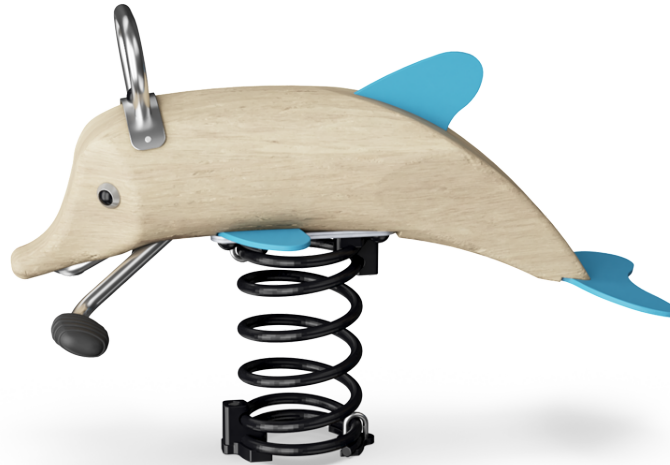


NRO111
Dolphin Springer



| Elevated Activities: 0 | Accessible Elevated Activities | Accessible Ground Level Activities | Accessible Ground Level Play Types |
|---------------------------|--------------------------------|------------------------------------|------------------------------------|
| Present | 0 | 1 | 1 |
| Required | 0 | 1 | 1 |

The product is available as FSC® Certified (FSC® C004450) robinia wood on request.

| | |
|------------------------------|---------------------------------------|
| Product Line | Organic Robinia |
| Category | Traditional play, Sand and water play |
| Age from | 2 - 5 |
| Max. fall height (CM) | 57 |
| Total height (CM) | 69 |
| Safety Zone | 7.3 m2 |

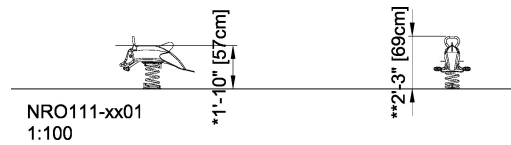
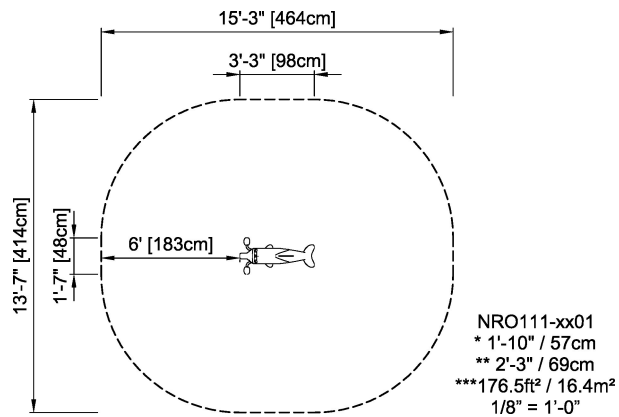


IN-GROU.



ASTM

SUR-FACE



* = Highest designated play surface.
 ** = Total height of product.

| | | | |
|----------------------------------|--------------------|--------------------------------|--------------------|
| Weight/heaviest parts | kg. | Installation (Manpower) | Persons |
| Concrete required | NaN m ³ | Installation (Hours) | Hours |
| Foundation amount/footing | NaN | Excavation | NaN m ³ |